



## KISSLING SAFETY SWITCH

Series 24

### SWITCHES FOR AREAS WHERE SAFETY IS THE FOCUS

This safety switch will break the current instantly by manual activation. The use of this switch allows increased safety factors in field installations. The current circuit will be closed by pulling the red knob. In an emergency, the current circuit can be isolated by force when pressing the operating knob.

The internal switching mechanism self-activates automatically the complete disconnection process. The safety switch can only be used in direct current applications and is designed to operate under full load. For voltages above 36 VDC, magnetic blowouts are recommended for arc suppression. In applications integrated with magnetic blowouts, attention must be made for polarity protection.

### FEATURES

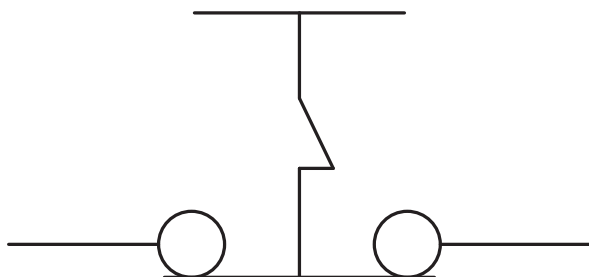
- Sealed housing conforms to IP40
- 1- pole interrupting switch
- Continuous current up to 500 A at 80 VDC
- Up to 10,000 cycles mechanical life
- Lockable actuator options available
- Version with auxiliary contact for charging function

### APPLICATIONS

- Commercial vehicles
- Plant and industrial engineering
- Off-Road vehicles (including lift vehicles)
- Construction & agricultural vehicles
- Hydraulic systems
- Remote control panels
- Marine applications

**CIRCUITS**

NC- Contact

**SPECIFICATION**

Technical Data			
Temperature range	-30°C to +70°C		
Housing Material	Thermoplastic		
Terminals	Cu		
Vibration	MIL-STD-202E, test method 204, test condition C 10-2000 Hz/10G		
Shock	MIL-STD-202E, test method 213, test condition J = 30G		
Max. Acceleration	15G		
Positive opening operations	Similar VDE 0113		
Norms	Construction EN 60497, Utilization category DC4, Isolation i.a.w. VDE 0110 Over voltage category III, Pollution degree 3		
Mechanical life	10.000 cycles		
Voltage range	12 V - 80 V		
Continuous current	300 A / 500 A		
Switching function	Change over		
Voltage range (auxiliary contacts)	250 VAC	25 VDC	60 VDC
Continuous current (auxiliary contacts)	5 A	2 A	400 mA

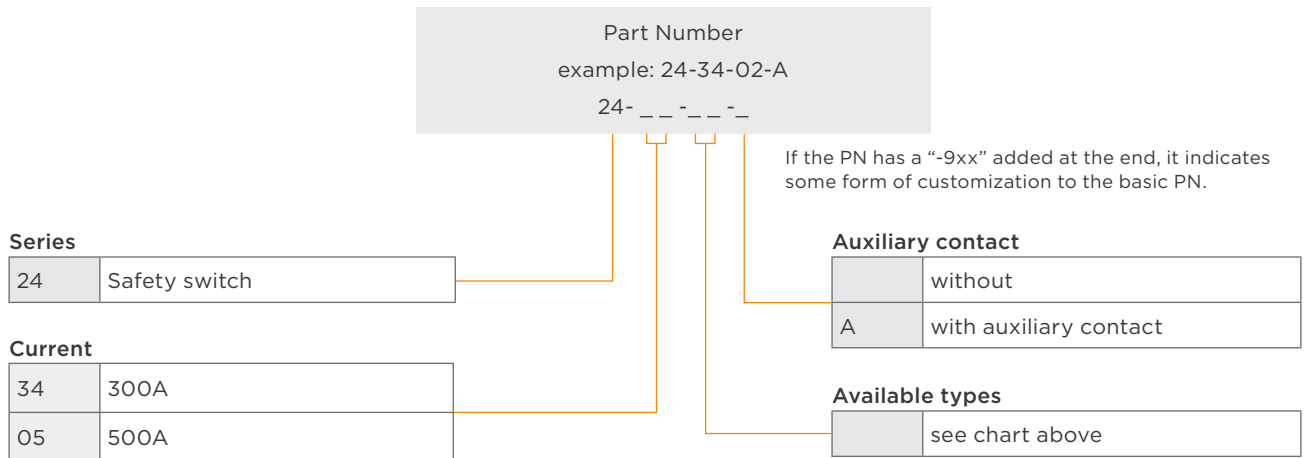
# KISSLING SAFETY SWITCH

Series 24

## AVAILABLE TYPES

Ordering key	Large push button	Small push button	Central lock	Magnetic blowouts	Extended push button
02	x				
03		x			
04	x				x
05		x			x
22	x		x		
23		x	x		
24	x		x	x	
25		x	x	x	
82	x			x	
83		x		x	
84	x			x	x
85		x		x	x

## ORDERING INFORMATION

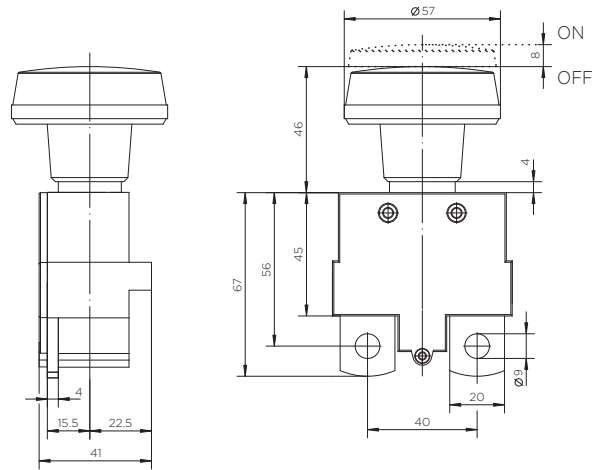


# KISSLING SAFETY SWITCH

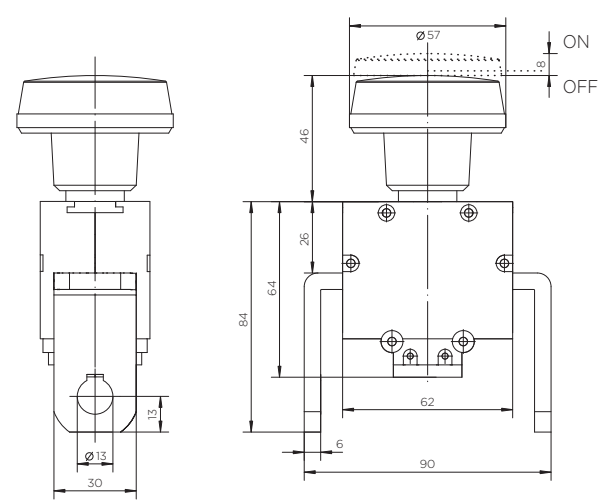
Series 24

## TECHNICAL DRAWINGS

300A - 24.34.....

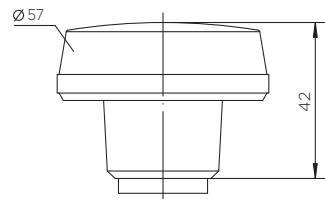


500A - 24.05.....

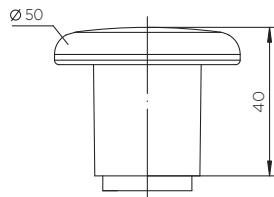


## VERSION

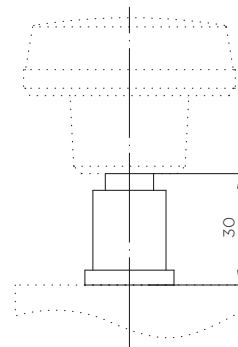
Large push button



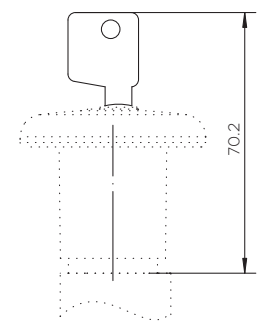
Small push button



Extended push button

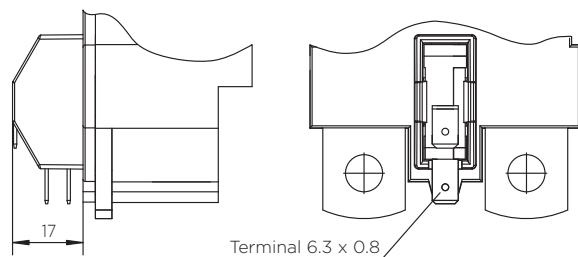


Central lock

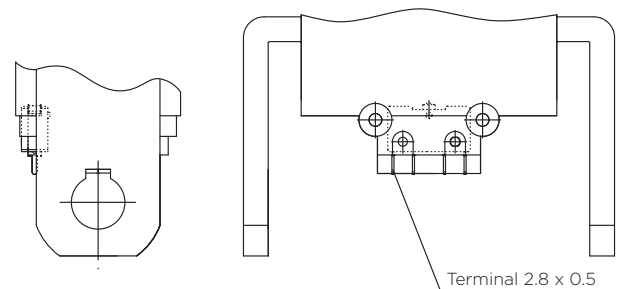


## ACCESSORIES

Auxiliary contact 300 A



Auxiliary contact 500 A



## te.com/KISSLING

© 2023 TE Connectivity. All rights reserved.

KISSLING, TE, TE Connectivity, and TE connectivity (logo) are trademarks owned or licensed by the TE Connectivity Ltd. family of companies. Other logos, product(s) and/or company names might be trademarks of their respective owners.

TE Connectivity's (TE's) only obligations are those stated in TE's General Terms and Conditions of Business ([www.te.com/aboutus/tandc.asp](http://www.te.com/aboutus/tandc.asp)). While TE has made every reasonable effort to ensure the accuracy of the information in this catalog, TE does not guarantee that it is error-free, nor does TE make any other representation, warranty or guarantee that the information is accurate, correct, reliable or current. TE reserves the right to make any adjustments to the information contained herein at any time without notice. TE expressly disclaims all implied warranties regarding the information contained herein, including, but not limited to, any implied warranties of merchantability or fitness for a particular purpose. The specifications in this catalog are for reference purposes only and are subject to change without notice. Consult TE for the latest dimensions and design specifications.

Published 11-2023